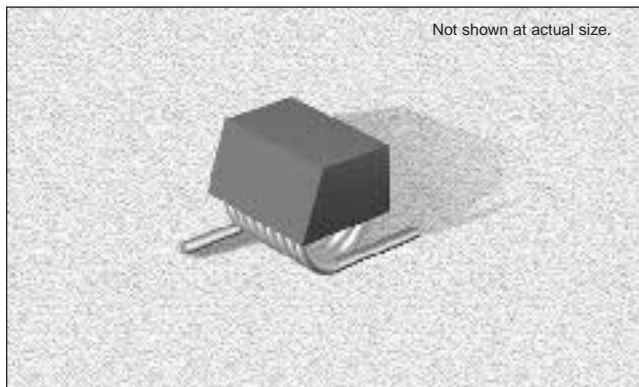


CTA & CTB Series

From 2.5 nH to 43 nH

ENGINEERING KIT #13



CHARACTERISTICS

Description: SMD air core "spring" inductor

Applications: Designed to operate a wide frequency range application. Also designed to operate in high Q applications.

Operating Temperature: -40°C to +85°C

Inductance Tolerance: ±2%, ±5%, ±10%,

Testing: Inductance is tested on an HP4286A at 150 MHz

Packaging: Tape & Reel

Tape Size: 12 mm wide CTA series, 16 mm wide CTB series

Additional Information: Additional electrical & physical information available upon request

Samples available. See website for ordering information.

SPECIFICATIONS

Please specify tolerance code when ordering.
CTA01T_ ← G = ±2%, J = ±5%, K = ±10%

Part Number	Inductance (nH)	# Of Turns	Q Fact. Min.	SRF (GHz)	DCR Max. (mΩ)	IDC Max. (A)
CTA01T_	2.5	1	145	12.5	1.1	4
CTA02T_	5.0	2	140	6.5	1.8	4
CTA03T_	8.0	3	140	5.0	2.6	4
CTA04T_	12.5	4	137	3.3	3.4	4
CTA05T_	18.5	5	132	2.5	3.9	4
CTB06T_	17.5	6	100	2.2	4.5	4
CTB07T_	22.0	7	102	2.1	5.2	4
CTB08T_	28.0	8	105	1.8	6.0	4
CTB09T_	35.5	9	112	1.5	6.8	4
CTB10T_	43.0	10	106	1.2	7.9	4

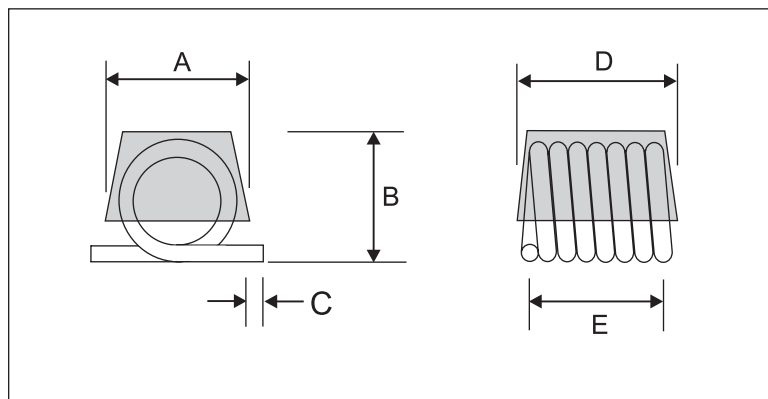
PHYSICAL DIMENSIONS

CTA SERIES

Size	A	B	C	D	E
mm	3.05	3.18	0.58±0.38	3.68	2.92±0.25
inches	0.12	0.125	0.023±0.015	0.145	0.115±0.01

CTB SERIES

Size	A	B	C	D	E
mm	3.05	3.18	0.58±0.38	6.86	5.84±0.25
inches	0.12	0.125	0.023±0.015	0.270	0.230±0.01



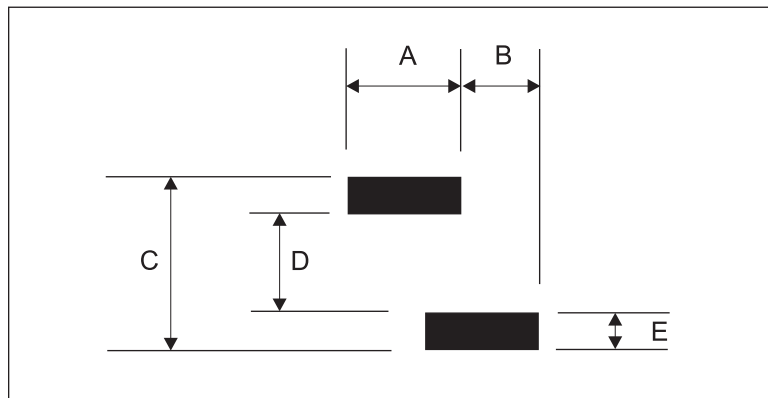
PAD LAYOUT

CTA SERIES

Size	A	B	C	D	E
mm	3.3	2.79	4.19	1.65	1.27
inches	0.13	0.11	0.165	0.065	0.05

CTB SERIES

Size	A	B	C	D	E
mm	3.3	2.79	7.24	4.7	1.27
inches	0.13	0.11	0.285	0.185	0.05



06.27.03



Manufacturer of Inductors, Chokes, Coils, Beads, Transformers & Toroids

800-684-5322 Inside US 949-453-1811 Outside US

Copyright © 2003 by CT Magnetics, DBA Central Technologies. All rights reserved.

CT Magnetics reserves the right to make improvements or change specifications without notice